

# ACCESSORIES

MISCELLANEOUS

FILTER / EXTRACTION / POLLUTION CONTROL // TECHNOLOGY



**Special extraction arms System 160**



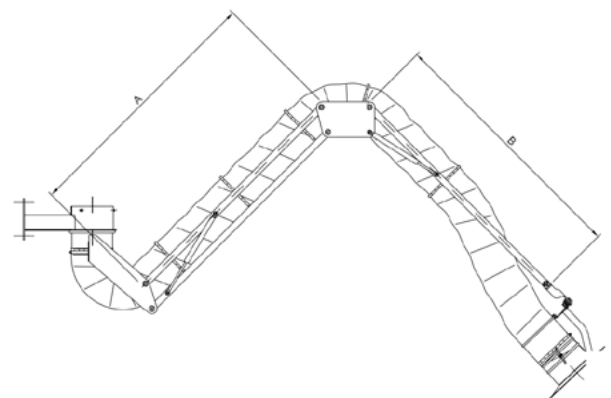
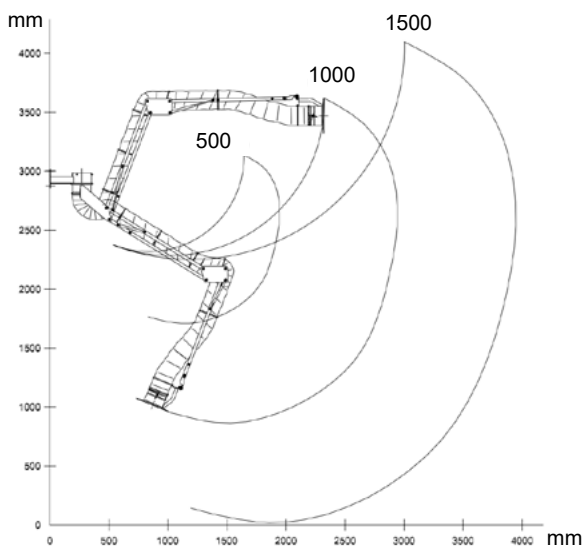
TBH offers extraction arms of type System 160 for local extraction of welding fumes and for larger air volume flows. These are set up for wall mounting. The extraction arms of type System 160 can be connected directly to a fixed piping. Further variations regarding size and mounting type are possible. Please contact your sales representative.



**Extraction arm System 160**

CROSS SECTION (mm)	A (mm)	B (mm)	ART. NO.
160	500	500	15493
160	1000	1000	15494
160	1500	1500	15495

- very large movement pattern - vertical
- can rotate 360° to relieve pressure on the hose
- incl. mounting bracket for wall mounting
- construction with external linkage system
- flow-optimized funnel with butterfly valve



**Special extraction arms System 160**

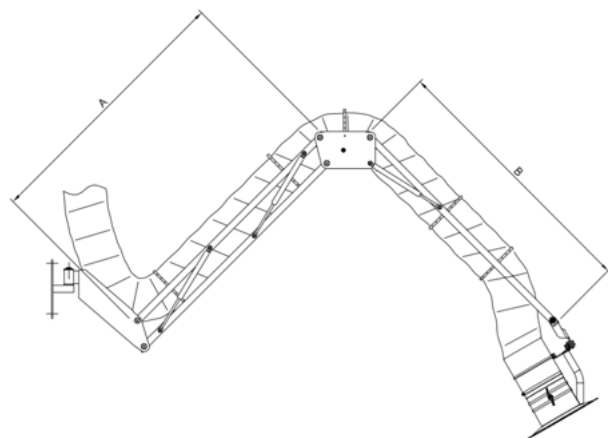
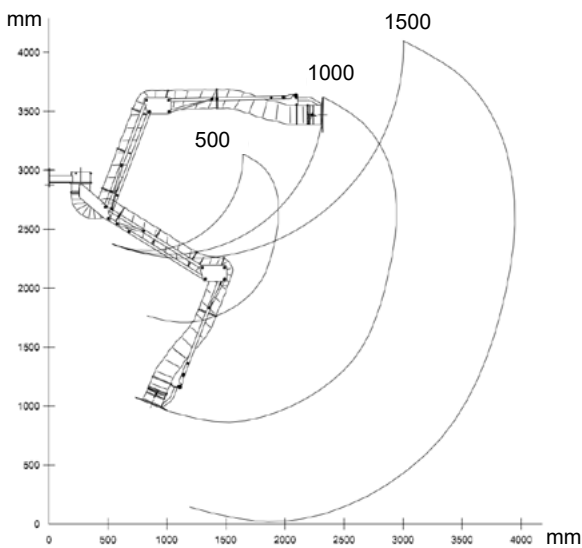


TBH offers extraction arms of type System 160 for local extraction of welding fumes and for larger air volume flows. These are set up for table/wall mounting or for mounting on a TBH filter and extraction system of the LN600 series and the FP/FPV200 series. Extraction arms of type System 160 can be linked with a flexible hose connection. Other variations regarding size and mounting type are possible. Please contact your sales representative.



**Extraction arm System 160**

CROSS SECTION (mm)	A (mm)	B (mm)	ART. NO.
160	500	500	15772
160	1000	1000	15773
160	1500	1500	15774

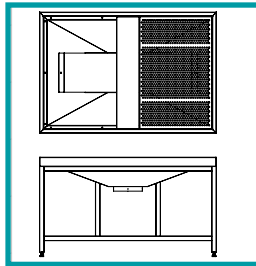


**Extraction table, extraction panel**



**Material:**

- Steel (powder-finished) RAL 7035



**Extraction table**

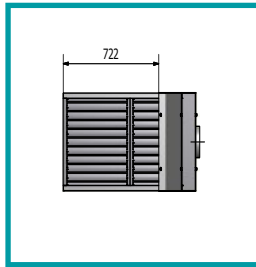
with two detachable grids

EXTRACTION CONNECTION	HXWXD (mm)	ART. NO.
250	850x1550x1060	13899

Extraction table for cleaning parts with solvents, etc. Three-part work surface with perforated stainless steel plate and large tray with Ø250mm extraction pipe connection for consistent extraction power. Height-adjustable base frame for optimal operator ergonomics.

**Material:**

- Steel (powder-finished) RAL 5010



**Extraction panel PU (for grinding work)**

Suitable for extracting when grinding with angle or random orbital sanders

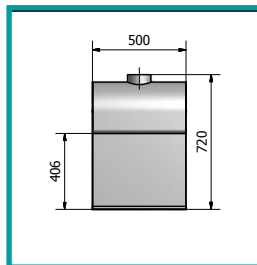
Use: excellent for catching flying sparks

EXTRACTION CONNECTION	HXWXD (mm)	ART. NO.
160	500x1000x500	15938
160	500x1000x1000	15939

TECHNICAL DATA	UNIT	TYPE 1	TYPE 2
Differential pressure loss	Pa	900	900
Weight	Kg	19	39
Min. air volume flow	m <sup>3</sup> /h	1350	1800

**Material:**

- Steel (powder-finished) RAL 5010



**Extraction hood (extraction panel for grinding work)**

Suitable for extracting vapors, gases (not ATEX) and light dusts

TYPE	EXTRACTION CONNECTION	HXWXD (MM)	ART. NO.
GT 500B	125	680x500x315	15940
GT 1000B	125	680x1000x315	15941
GT 1500B	160	900x1500x400	15942

TECHNICAL DATA	UNIT	GT 500B	GT 1000B	GT 1500B
Air performance min.	m <sup>3</sup> /h	300	500	1000
Differential pressure loss	Pa	300	300	300
Weight	Kg	18	28	44





**FILTER / EXTRACTION / POLLUTION CONTROL // TECHNOLOGY**

## **TBH GmbH**

Heinrich-Hertz-Str. 8  
D-75334 Straubenhardt  
Tel. +49 (0) 7082 / 9473 0  
Fax +49 (0) 7082 / 9473 20

[www.tbh.eu](http://www.tbh.eu)



**Further information**



**PEOPLE / ENVIRONMENT / MACHINERY**